



PRODUCT DATASHEET

EXO TOUCH™

SINGLE-POINT CONTROL AND MONITORING

APPLICATION

The EXO series is Thermon's control and monitoring solution for a wide range of commercial electrical trace heating applications, including systems designed to meet UL 515A requirements for fire sprinkler applications. Whether deployed for freeze protection, hot water temperature maintenance, grease waste flow maintenance, roof and gutter de-icing, or snow melting, the EXO series ensures easy and reliable thermal management.

The EXO TOUCH model features single-point heat trace control capability, an LCD touchscreen, two thermistor inputs, visual and audible alarms, and a variety of adjustable control settings.

The 4.3" resistive touch display allows the user to easily navigate through the available control settings on the simple and intuitive interface. EXO TOUCH is internationally certified for usage in Ordinary Locations. With an outdoor-rated enclosure, it offers exceptional performance and reliability, regardless of the weather. EXO TOUCH conforms to UL-61010-1 and is in process for getting UL-515A approval for the fire sprinkler application.

PRODUCT FEATURES

LED backlit Thermon logo - Provides an easy way to get a visual cue on the health and status of the system using different colors. Each color helps identify a different status condition. Please refer to the **CPD1094 EXO TOUCH Operating Manual** for further details.

Efficient Configuration and Operation - With the resistive touch 4.3" LCD display, operators have local access to all the settings and readings under any conditions. It is a simple, intuitive, and easy to use interface. The touch display provides smooth user experience for interacting with the unit.

Control Methods - The EXO utilizes the ON/OFF, ON/OFF Limiter, APCM (Ambient Proportional Control- Mechanical) and APCM Limiter methods with mechanical relays. APCM mode allows for minimum cable length for temperature sensing as the sensor just needs to be able to measure ambient temperature and not run till the pipe.

Current Measurement- EXO is capable of heater



current measurements of up to 35 A. It helps in understanding if the consumption is in line with the expectation or not. The user can also configure alarms when the value is above or below a certain setpoint.

Ground Fault Measurement - EXO can detect ground fault current from 0 mA to 200 mA. This feature helps detect any ground fault condition quickly. The user can also configure the limit in the specified range.

Thermistors - The unit comes with 2 thermistors (10 ft length) which support a temperature measurement range of -40 °C to 125 °C (-40 °F to 257 °F). They have a high accuracy of ± 1 °C. Extension is possible (With 22 AWG: up to 100 ft and with 18 AWG: up to 300 ft)

Audible Alarm - The unit comes with an audible alarm. This helps notify the user of any alarm condition even in absence of visual inspection of the unit.

Dry Contact Alarm Output (Form C Relay) - Comes with a Form C Relay providing flexibility to configure the alarm as NO or NC, based on the user's preference.

UL515A Certified: For fire suppression system supply piping and branch lines including sprinkler heads (USA & CANADA).

Thermon · 100 Thermon Dr · PO Box 609 San Marcos, TX 78667-0609 · Phone: 512-396-5801 · 1-800-820-4328
For the Thermon office nearest you visit us at www.thermon.com



PRODUCT DATASHEET

EXO TOUCH™

SINGLE-POINT CONTROL AND MONITORING

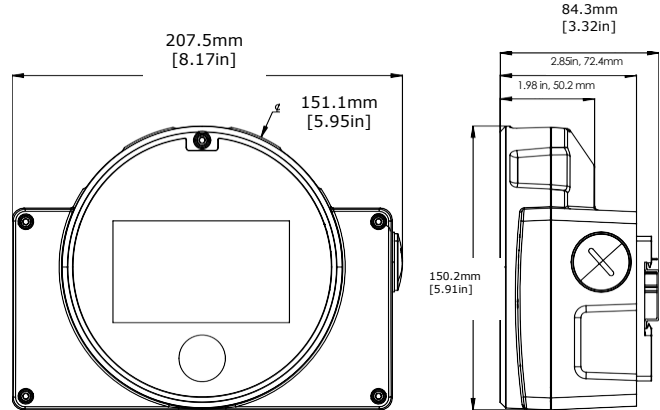
ORDERING INFORMATION

Part Number - PN	Model Description
817010	EXO TOUCH Single point Commercial Controller

ELECTRICAL SPECIFICATIONS

Control and monitoring capacity	1 heat trace circuit
Control Methods (Process & Ambient)	ON/OFF, ON/OFF Limiter, APCM, APCM Limiter
Rated Voltage (Supply & Load)	100-240 VAC ± 10%, 50 Hz 110-277 VAC + 10%, 60 Hz
Rated Current	250 mA max.
Input Protection	<ul style="list-style-type: none"> Surge protection, MOVs, from both phases to ground as well as phase to phase External breaker
Load Voltage	100-240 VAC ± 10%, 50 Hz 110-277 VAC + 10%, 60 Hz
Output Heater Current	30 A @ 25°C
Heater current measurement	up to 35 A max.
Ground fault measurement	0 mA to 200 mA
Maximum Duty Cycle	Programmable from 20%-100%
Temperature Inputs	2x Thermistors, Accuracy ±1 °C
Ground Fault Alarms	High Ground Fault Alarm High Ground Fault Trip Alarm
Heater Current Alarms	Low Heater current Alarm High Heater current Alarm High Heater current Trip/HH Alarm
Self-test Frequency	Programmable from 1 - 168 hours; Disabled
Control Band	Programmable in increments of 1 degree
Control Temperature Range	-40°C to 125°C, increments of 1 degree (-40°F to 275°F)
Operating Temperature	-20°C to 45°C (-4°F to 113°F)
Relative Humidity	0 - 90%
Control Relay	1x SPST Mechanical Relay
Limiter Relay	1x SPST Mechanical Relay
Alarm Output Functions	24 VDC, 3 A max. Dry contact 1x Form C, Support for NO or NC operation Audible and Visual Alarm Indication <ul style="list-style-type: none"> System fault Programming Error High Temperature Trip High Current Trip/HH High Ground Current Trip Temperature Sensor Fault

PRODUCT DIMENSIONS



MECHANICAL RATINGS

Ingress Protection	Type 4, IP54 For Ordinary Locations
Power Wiring	16 AWG/1.3 mm ² (min.) to 6 AWG/13.3 mm ² (max.)
Other Wiring	24 AWG/0.2 mm ² (min.) to 16 AWG/1.3 mm ² (max.)
Mounting	DIN Rail mounted
Dimensions	207.5 mm * 84.3 mm * 151.1 mm (Width x Depth x Height)
Weight	~ 1.82 lbs. (828 g)

CERTIFICATIONS/APPROVALS



EN/IEC/UL/CSA 61010-1

WARNING - Disconnect all power sources before installation or servicing.
 AVERTISSEMENT - Débranchez toutes les sources d'alimentation avant l'installation ou l'entretien.

Thermon · 100 Thermon Dr · PO Box 609 San Marcos, TX 78667-0609 · Phone: 512-396-5801 · 1-800-820-4328
 For the Thermon office nearest you visit us at www.thermon.com